

Data sheet

GA-2

GA-2

Alarm device for grease interceptors

GA-2 is an alarm device for monitoring the grease layer thickness and the overflow of the interceptor. The system consists of GA-2 control unit, GA-HLL1 high liquid level sensor, GA-SG1 grease sensor and a cable joint.

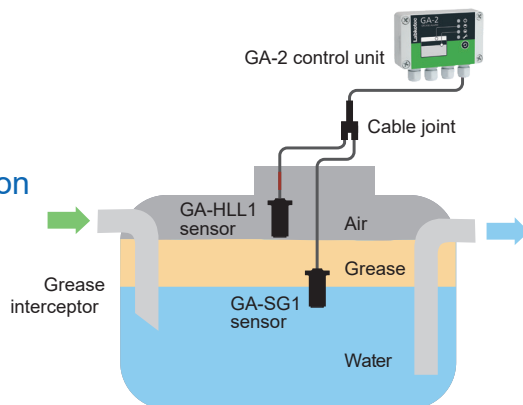


GA-2 control unit and GA-HLL1/GA-SG1 sensors

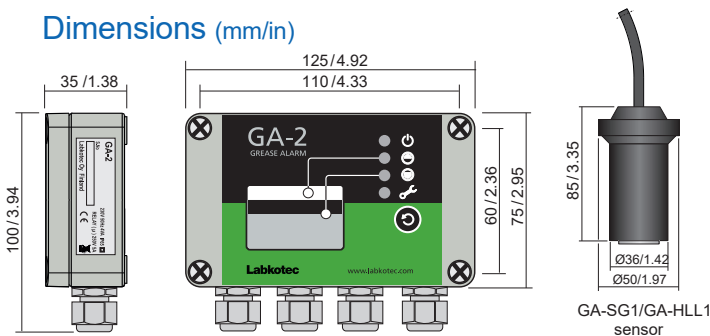


Cable joint

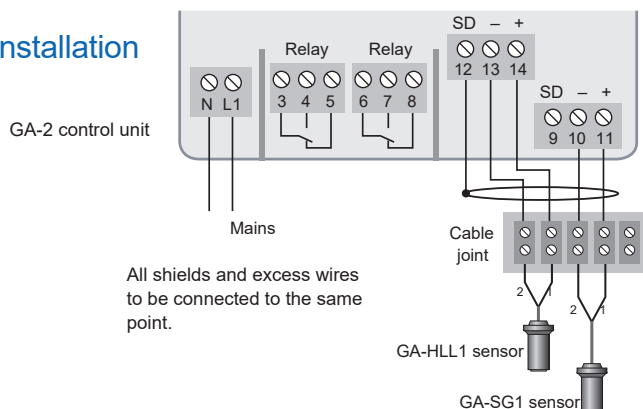
Application



Dimensions (mm/in)



Installation



GA-2 Control unit

Dimensions	125 mm x 75 mm x 35 mm (L x H x D) 4.92 in x 2.95 in x 1.38 in (L x H x D)
Weight	250 g / 0.55 lbs
Package	1200 g / 2.65 lbs (control unit + 2 sensors + cable joint)
Enclosure	IP 65, material polycarbonate Cable glands for cable diameter 6-10 mm / 8-10 AWG
Operation temperature	-30 °C...+50 °C / -22°F...+122°F
Supply voltage	230/115 V AC ± 10 %, 50/60 Hz The device is not equipped with a mains switch. Fuse maximum 10 A.
Power consumption	5 VA
Sensors	GA-HLL1 and GA-SG1 sensors
Relay output	2 pcs potential-free relay outputs max. 5A 250 V AC / 30 V DC. Operational delay 10 sec. Relay de-energize at trigger point.
Electrical safety	Class II, IEC/EN 61010-1, UL 61010-1 CAN/CSA-C 22.2 NO. 61010-1-12
Overvoltage category	II
EMC	IEC/EN 61000-6-3 IEC/EN 61000-6-1
Manufacturing year	xxx x xxxxx xx YY x Please see the serial number on type plate where YY = manufacturing year (e.g. 23 = 2023)

GA-HLL1 and GA-SG1 sensors

Principle of operation	Capacitive
Material	POM, AISI 316
Weight	350 g / 0.77 lbs (sensor + fixed cable)
IP-classification	IP68
Temperature	Operation 0 °C...+90 °C / 32 °F...194 °F Environment -30 °C...+90 °C / -22 °F...+194 °F
Cable	Fixed cable 2 x 0.75 mm ² Ø 5,8mm / 2 x AWG 18. Standard length 5 m / 16.4 ft, other lengths optional. The max. length of the fixed cable is 15 m / 49 ft, can be extended up to 200 m / 650 ft. Maximum cable loop resistance is 30 Ω
EMC	IEC/EN 61000-6-3 IEC/EN 61000-6-1
Manufacturing year	GAXxxxxYY Please see the serial number from the bottom of the sensor where YY = manufacturing year (e.g. 23 = 2023)

Labkotec Oy reserves the rights to alterations without prior notice.

Measures for a better tomorrow